

Rotating Eye Lifting Point REL

The Gunnebo Industries lifting point range provide a solution for every lifting and rigging operation, enabling improved operational efficiency. To choose the right lifting point for an operation can be a challenge, since most lifting points can be used for several purposes. Safety is our highest priority, therefore has each sold DLP been proof loaded 2.5 times the WLL.

The Rotating Eye Lifting Point (REL) is a compact and robust lifting point, ideal for top-mounting and when a quick and easy on-hooking is important. The bolt has a hexagon socket which makes it easy to mount and dismount using a standard allen key. The REL automatically adjust to the loading direction which decreases the risk to load it incorrectly and endangering the lifting operation. For sensitive load surfaces the REL is ideal, as the connecting sling hook will be positioned mainly parallel to the load surface; completely avoiding the hook to cause damage on the load.

Significantly stronger than a DIN 580 eye bolt

- The REL has several times higher WLL than a DIN 580 eye bolt.
- The same load can be lifted with a smaller size of REL.

Safe mounting

- Safe mounting using standard allen key.
- Seats perfectly to the surface.

Automatic adjustment to loading direction

- Eliminate risk of unintended loosening.
- Decreases the risk of incorrect loading.

Compact & robust

- Ideal for top-mounting.
- Ideal when a quick and easy on-hooking is important.
- Ideal for sensitive load surfaces.

Applications where the REL is perfectly suited

✓ Tight space

In many cases the REL is attached where space is very limited, be it in a corner, in between components or on an edge. The REL is designed take up very little space to avoid hanging over the edge or touching other parts than the base of which it is attached.

✓ Single part lift

The REL is ideal for single part lift as the WLL is significantly higher when lifting vertically. The REL is perfectly balanced and stable which makes handling the load easy and safe.

✓ Limited height

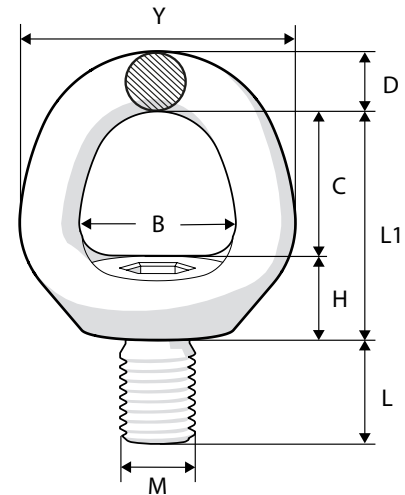
In lifts where every centimetre of height counts the REL lifting point excels. Thanks to the compact design you can be sure that you will optimise the total sling length.

Example of typical applications

- Various OEM applications.
- For replacement of gearbox for conveyor in cement factory.
- Assembly of railway bogies.
- Pump installation in large sewage station.
- Automobile assembly line.
- Handling of electric engines.

Rotating Eye Lifting Point RELP

Art. no.	Code	Dimensions in mm								Weight kgs
		B	C	D	H	L	L1	M	Y	
Z102408	RELP-M8 x 1.25	28	28	11	14	15	42	8	50	0.2
Z102410	RELP-M10 x 1.5	28	28	11	14	15	42	10	50	0.2
Z102412	RELP-M12 x 1.75	32	33	13	13	20	47	12	58	0.3
Z102416	RELP-M16 x 2	39	41	15	16	24	57	16	70	0.5
Z102420	RELP-M20 x 2.5	42	43	16	18	30	60	20	78	0.7
Z102424	RELP-M24 x 3	50	51	19	20	36	71	24	88	1.1
Z102430	RELP-M30 x 3.5	60	62	26	28	45	90	30	112	2.4
Z102436	RELP-M36 x 4	72	72	32	32	54	104	36	136	4.1
Z102442	RELP-M42 x 4.5	82	82	38	37	63	119	42	158	6.7
Z102448	RELP-M48 x 5	94	96	43	39	72	135	48	180	9.9

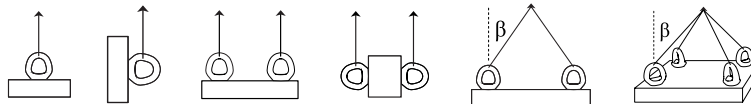


RELP with UNC thread

Art. no.	Code	Dimensions in m								M inch	Weight kgs
		B	C	D	H	L	L1	Y			
Z102508	RELP 5/16"-18 UNC	28	28	11	14	15	42	50	5/16"	0.2	
Z102510	RELP 3/8"-16 UNC	28	28	11	14	15	42	50	3/8"	0.2	
Z102512	RELP 1/2"-13 UNC	32	33	13	13	20	47	58	1/2"	0.3	
Z102516	RELP 5/8"-11 UNC	39	41	15	16	24	57	70	5/8"	0.5	
Z102520	RELP 3/4"-10 UNC	42	43	16	18	30	60	78	3/4"	0.7	
Z102521	RELP 7/8"-9 UNC	42	43	16	18	30	60	78	7/8"	0.7	
Z102524	RELP 1"-8 UNC	50	51	19	20	36	71	88	1"	1.1	
Z102530	RELP 1 1/4"-7 UNC	60	62	26	28	45	90	112	1 1/4"	2.4	
Z102536	RELP 1 1/2"-6 UNC	72	72	32	32	54	104	136	1 1/2"	4.1	
Z102542	RELP 1 3/4"-5 UNC	82	82	38	37	63	119	158	1 3/4"	6.8	
Z102548	RELP 2"-4.5 UNC	94	96	43	39	72	135	180	2"	10.0	

Working Load Limits* - RELP

Symmetric Load
(tonnes)



No. of legs	1	1	2	2	2 symmetric		3 & 4 symmetric		Tightening torque	Allen key
Angle β	0°	90°	0°	90°	0-45°	45-60°	0-45°	45-60°		
RELP -M8 x 1.25 RELP 5/16"-18 UNC	0.7	0.3	1.4	0.6	0.4	0.3	0.6	0.4	10 Nm 7 Ft.Lbs	8 mm 5/16"
RELP -M10 x 1.5 RELP 3/8"-16 UNC	1.2	0.5	2.4	1.0	0.7	0.5	1.0	0.7	15 Nm 11 Ft.Lbs	8 mm 5/16"
RELP -M12 x 1.75 RELP 1/2"-13 UNC	2.0	0.8	4.0	1.6	1.1	0.8	1.6	1.2	27 Nm 20 Ft.Lbs	8 mm 5/16"
RELP -M16 x 2 RELP 5/8"-11 UNC	3.5	1.5	7.0	3.0	2.1	1.5	3.1	2.2	60 Nm 44 Ft.Lbs	8 mm 5/16"
RELP -M20 x 2.5 RELP 3/4"-10 UNC	6.1	2.4	12.2	4.8	3.3	2.4	5.0	3.6	90 Nm 66 Ft.Lbs	8 mm 5/16"
RELP -M24 x 3 RELP 1"-8 UNC	8.1	3.3	16.2	6.6	4.6	3.3	6.9	4.9	135 Nm 100 Ft.Lbs	19 mm 3/4"
RELP -M30 x 3.5 RELP 1 1/4"-7 UNC	12.1	4.6	24.2	9.2	6.4	4.6	9.6	6.9	270 Nm 200 Ft.Lbs	19 mm 3/4"
RELP -M36 x 4 RELP 1 1/2"-6 UNC	16.1	7.1	32.2	14.2	9.9	7.1	14.9	10.6	320 Nm 236 Ft.Lbs	19 mm 3/4"
RELP -M42 x 4.5 RELP 1 3/4"-5 UNC	24	9.1	48	18.2	12.7	9.1	19.1	13.6	600 Nm 440 Ft.Lbs	19 mm 3/4"
RELP -M48 x 5 RELP 2"-4.5 UNC	32	12.1	64	24.2	16.9	12.1	25.4	18.1	800 Nm 590 Ft.Lbs	19 mm 3/4"

* Safety factor 4:1